

Installation instructions for PZ4AL-02333-00
Under Run Protective Shield Engine Bay

LEXUS LS



| | | | |
|---------------|-------------------|--------------------|---------------------------|
| Model Year: | LS 460 AWD - 2012 | LS 460L AWD - 2012 | LS 600h L - 2006 - 2012 - |
| Vehicle Code: | USF45L-AEZGHW | USF46L-AEZGHW | UVF46L-AEXGHW |
| Part Number: | | | PZ4AL-02333-00 |



Weight:

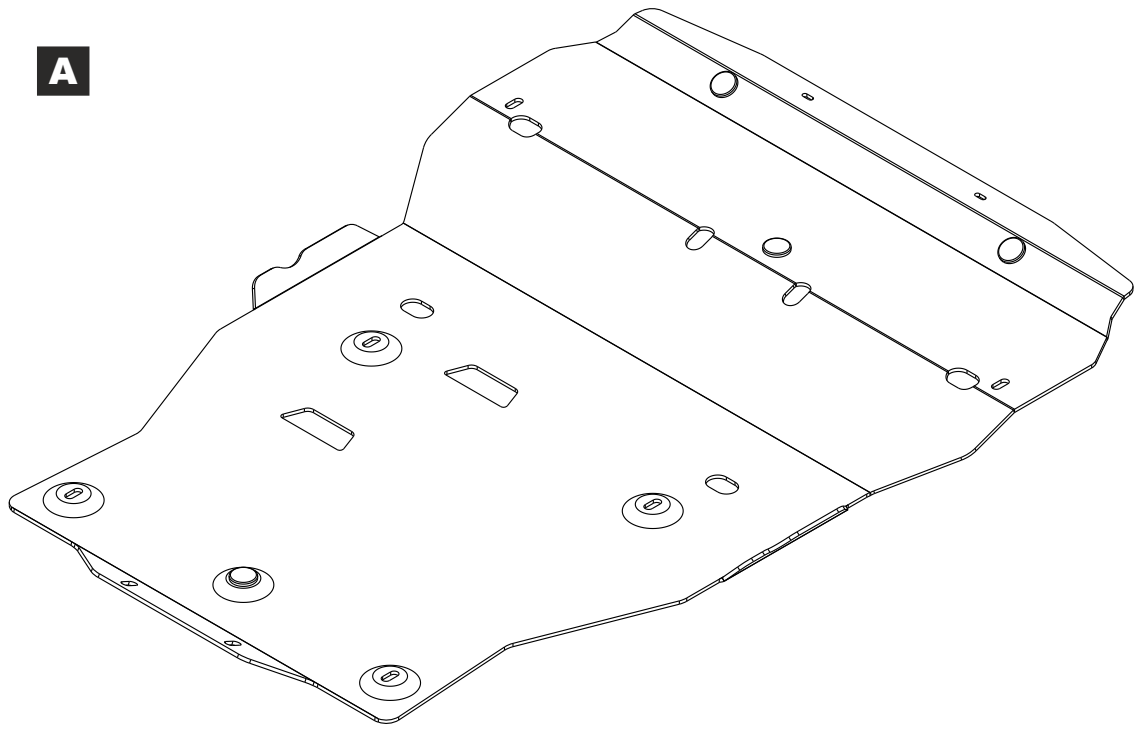
14,59 kg



Installation Time:

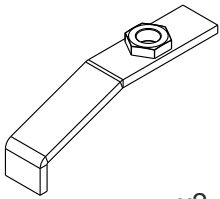
45 min

A



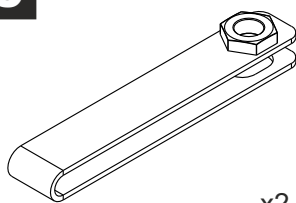
PZ4AL-02333-60

B



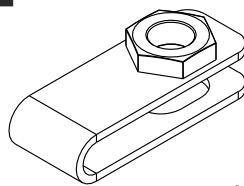
x2

C



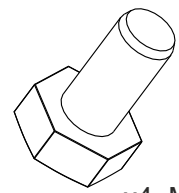
x2

D



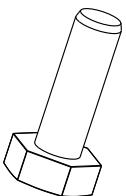
x2

E1



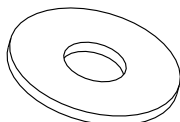
x4 M10x30

E2



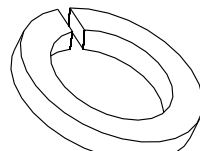
x2 M10x110

F

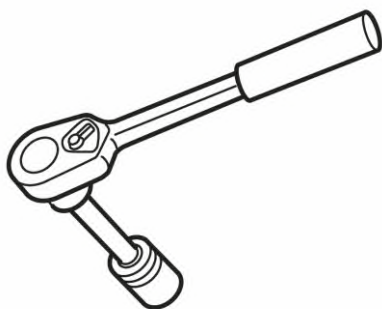


x6 Ø10

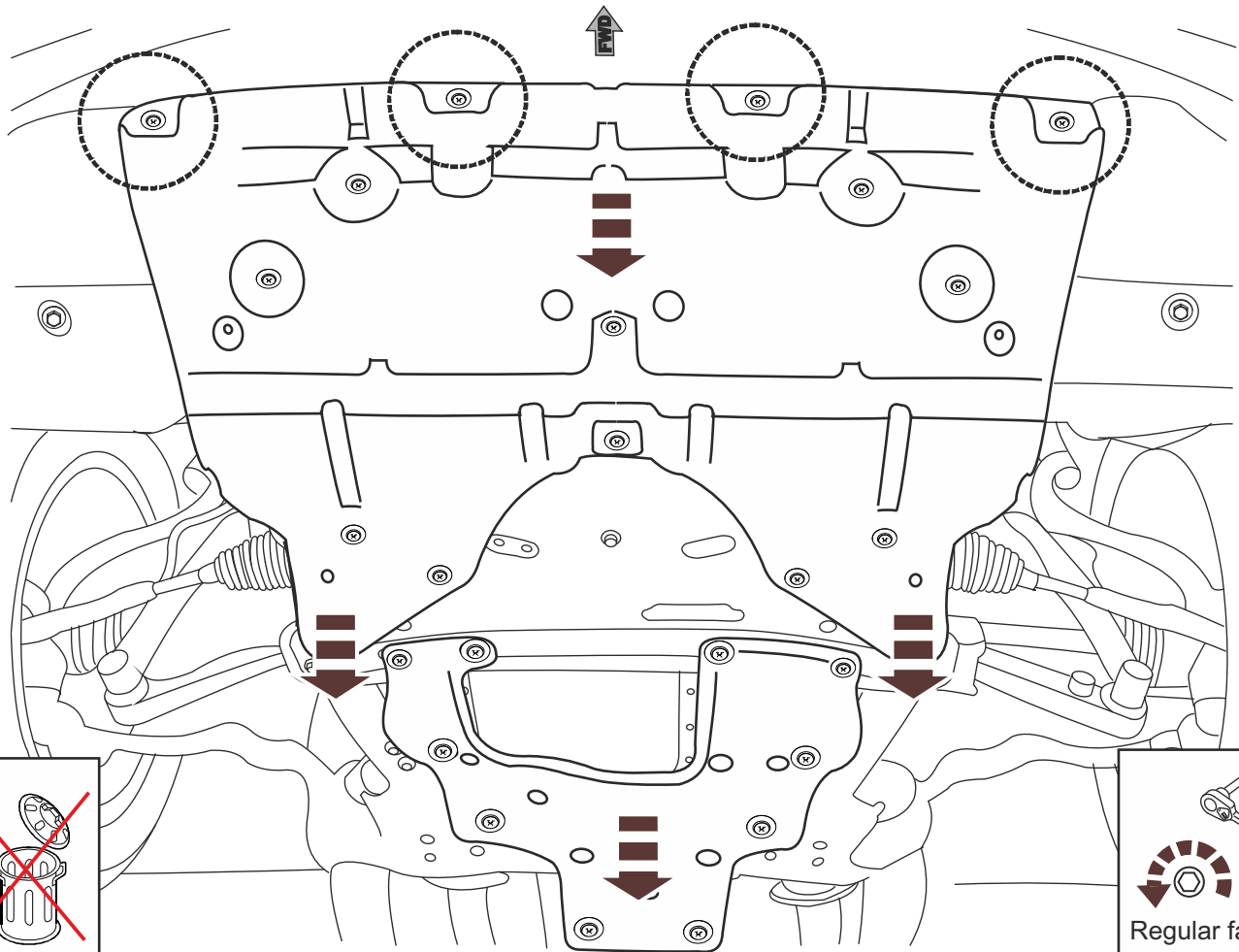
G



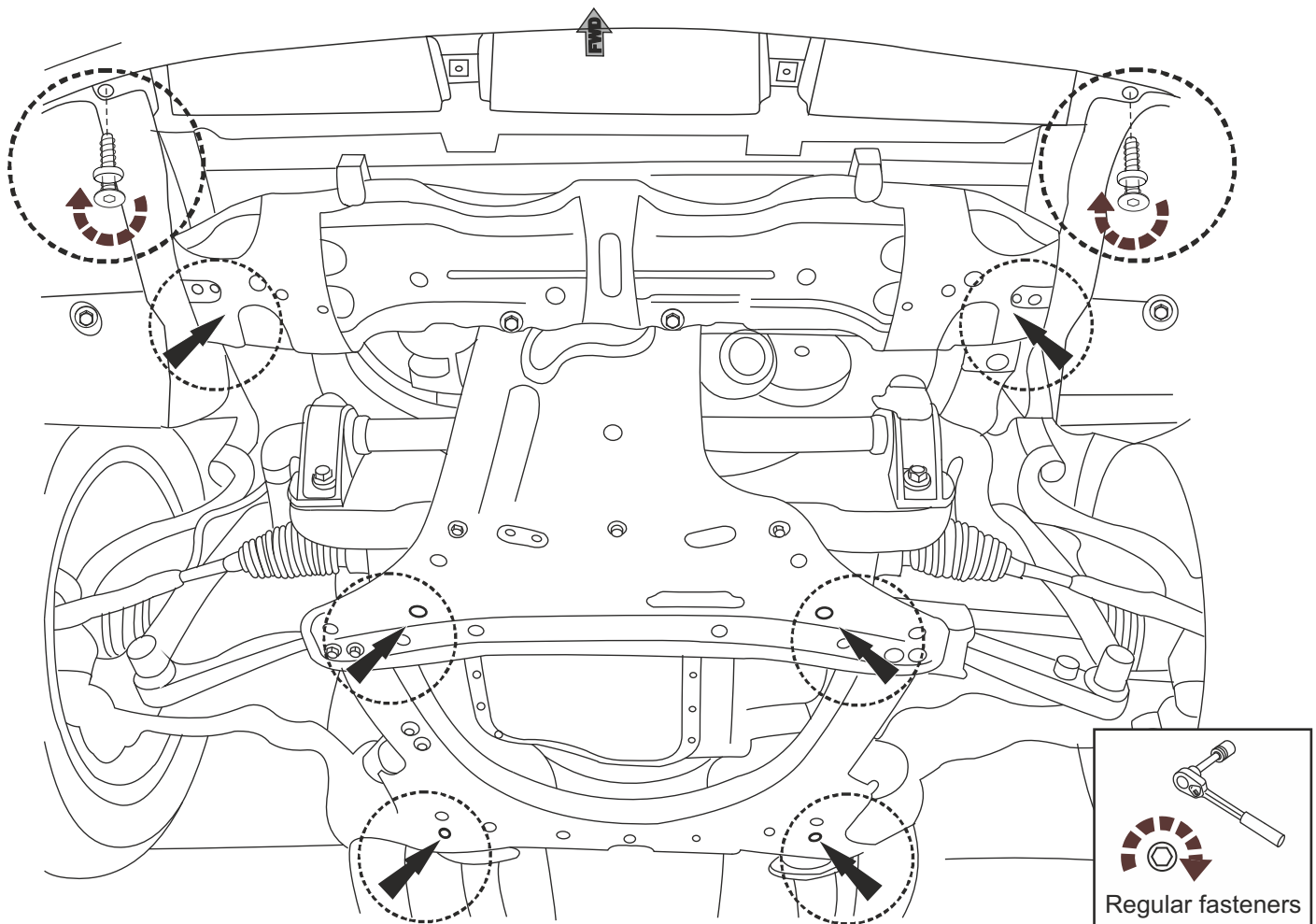
x6 Ø10G



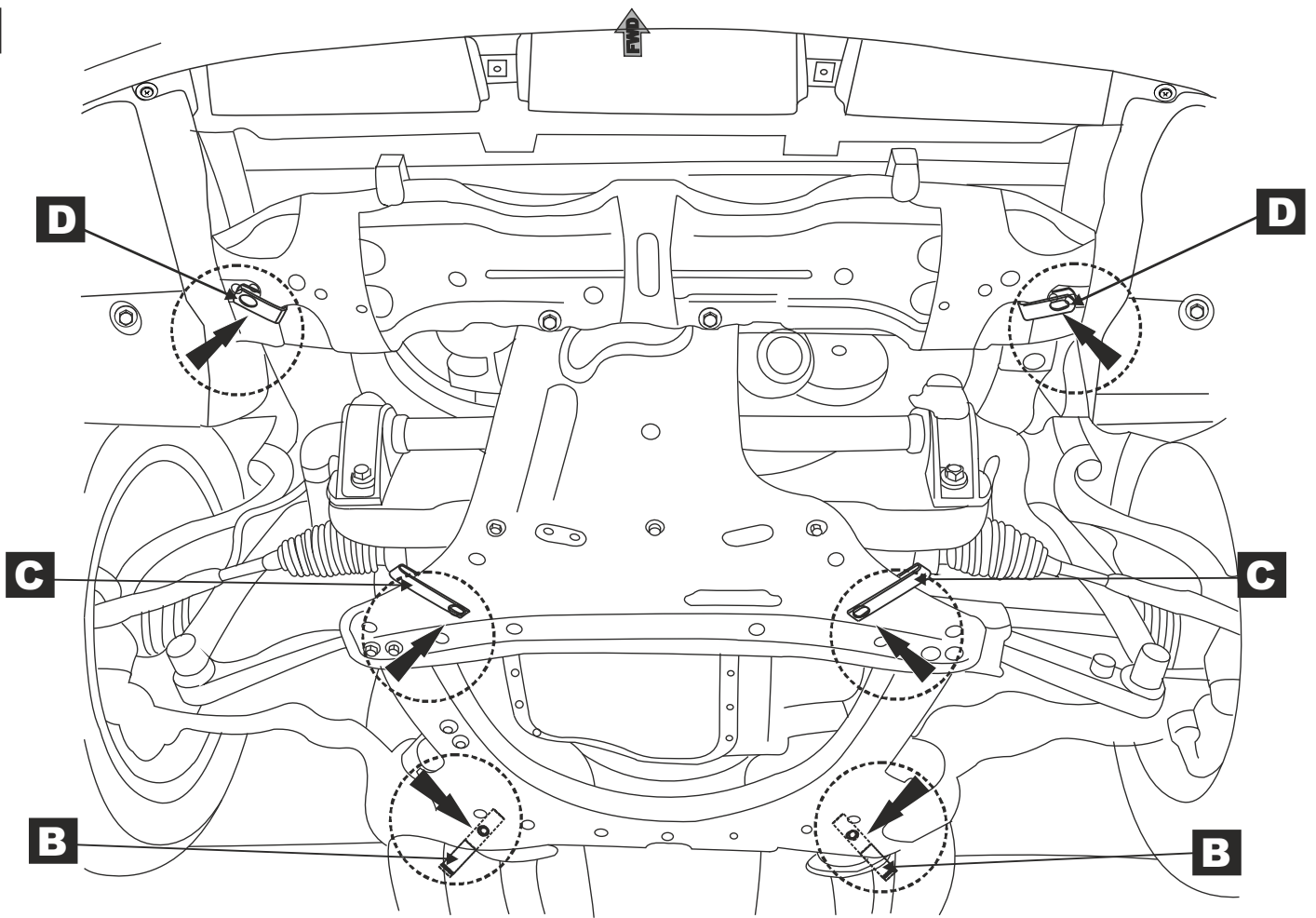
1



2



3



4

